

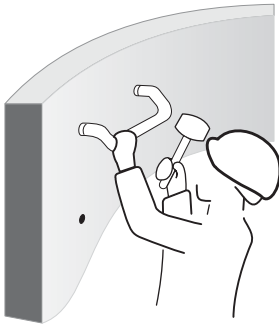
2364 Haines Rd., Unit 20-21 Mississauga, Ontario Canada

Plastic Insert Sleeve

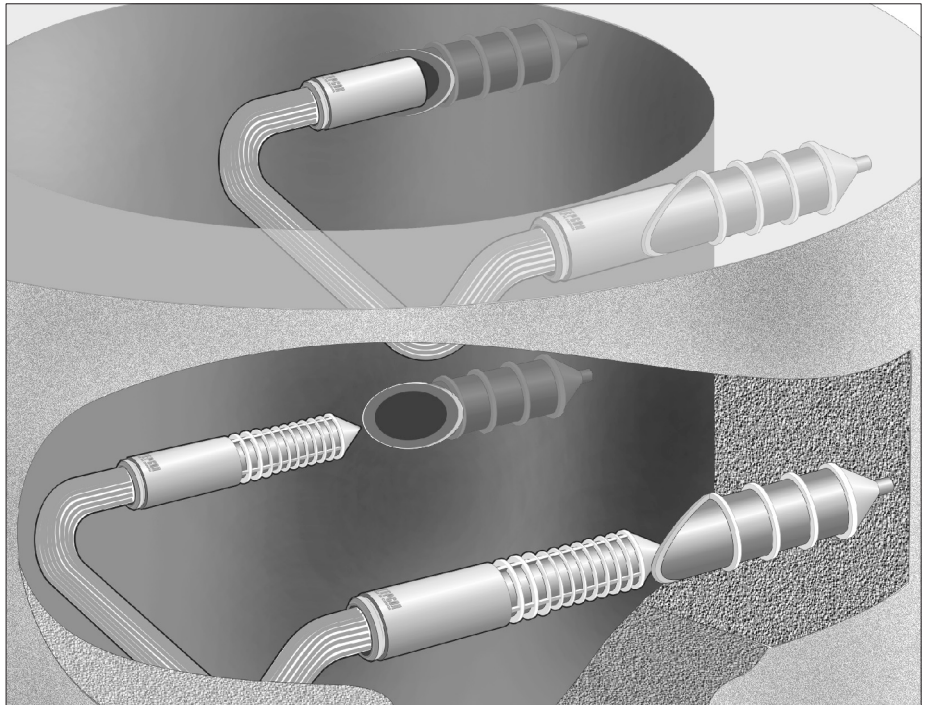
Designed for cast-in plate step installation. Polyethylene Ribbed insert for hammer in step installation.

Application

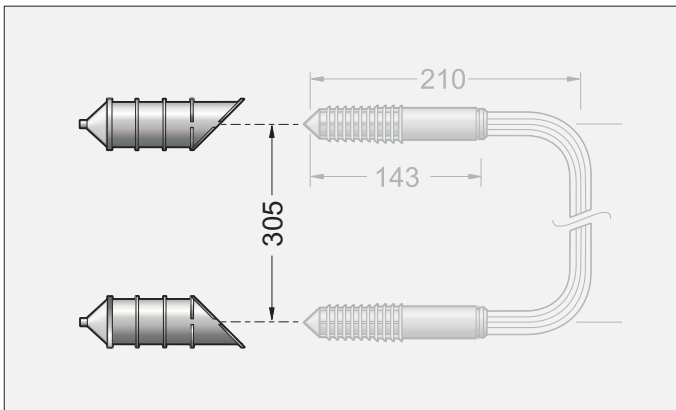
Installation (dry method):
Hammer in Step to ribbed insert with a 2 kg (5 pound) rubber mallet.



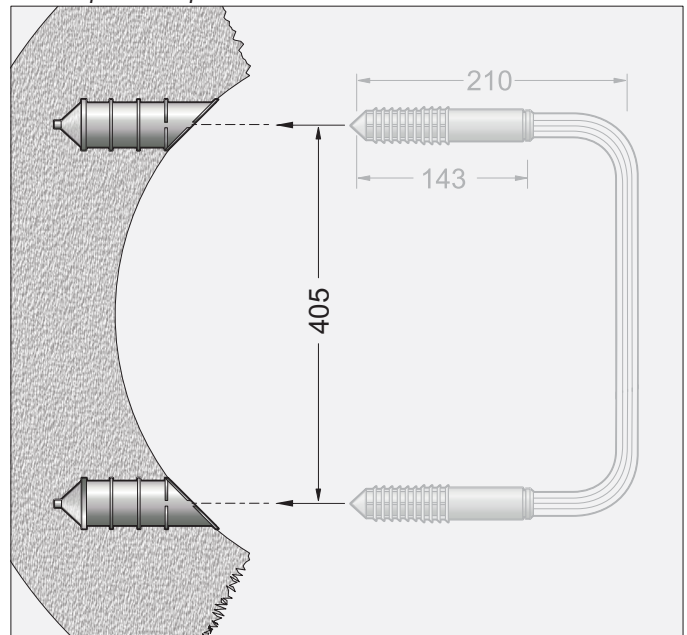
Manhole Steps, Plastic Insert Sleeve



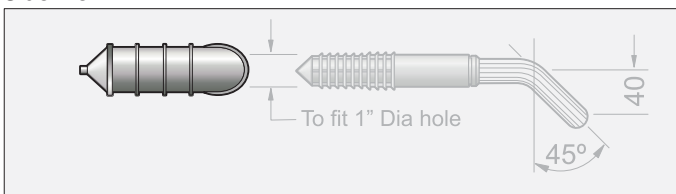
Plastic Insert Sleeve



Cast-in place Step Installation



Side View



MODEL NO.	MH SIZE	STEP No.	STD. PACK
2222	48" -72" MH. D.A.	2016	350
2242	28" Rise Ring	2016	350

Precautions

Wearing of safety glasses and employing any other necessary measures while installing. Manhole Steps is highly recommended