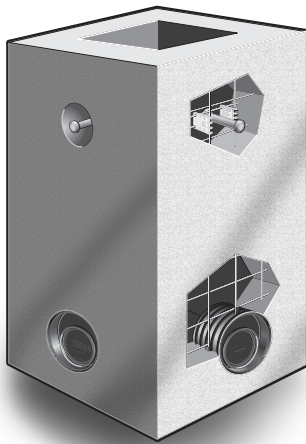


2364 Haines Rd., Unit 20-21 Mississauga, Ontario Canada

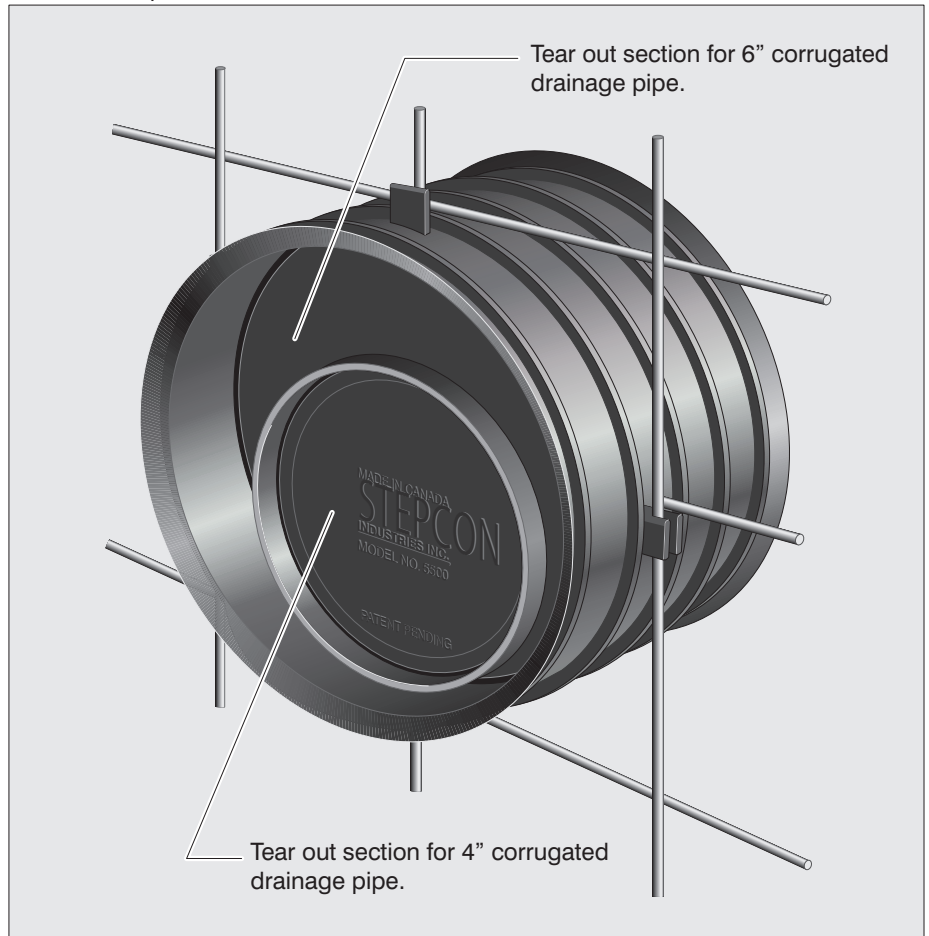
**Plastic Subdrain Coupler**

Stepcon has designed a specialized insert for standard 4 1/2" concrete wall catch basin.  
Tear out section for 4" & 6" corrugated drainage pipe.  
No need to knock out & grout. Press fit cap available to prevent "ovaling-out" quick installation to standard reinforcing wire.

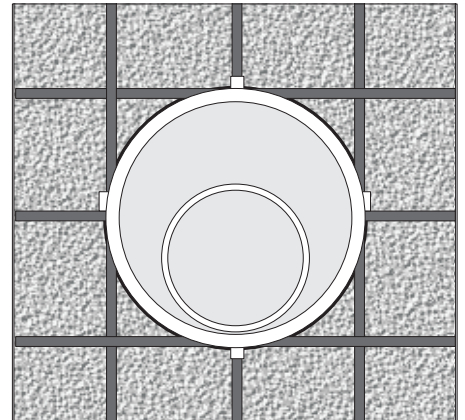
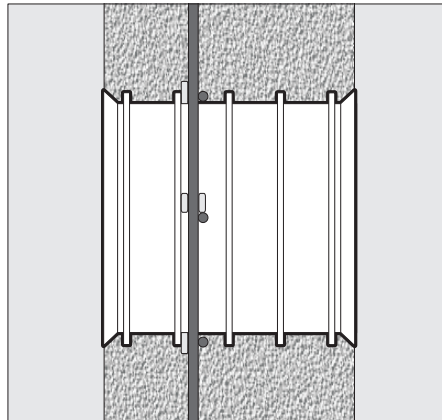
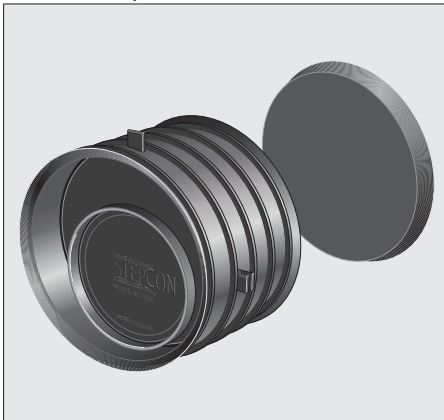
**Application**



*Subdrain Coupler MODEL NO. 5500*



*Subdrain Cap MODEL NO. 5501*



MODEL NO.	DESCRIPTION	CAGE SIZE	CORRUGATED PIPE	STD. PACK
5500	Plastic subdrain coupler	4" x 4" W2.9"	4" & 6"	360
5501	Plastic subdrain cap	-	-	50